



# STABIL 2-Section Electric Treatment Table

Order Code: 1002U-65BB



## FEATURES

- Stabil is the most stable highest quality table model on the market
- Electric Hi-Lo
- Retractable heavy duty castors
- Levelling Feet
- Low Height: 43cm
- Weight Capacity: 255kgs
- German Motors
- Angled legs ensure ultimate stability during manipulations
- Attractive and professional finish enhances your treatment area
- Side brackets for attaching exercise products and stabilising belts
- Various upholstery colours available

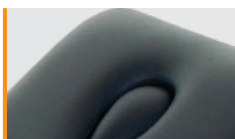
## RECOMMENDED OPTIONS:



Paper Roll Holder



360° All-round Bar

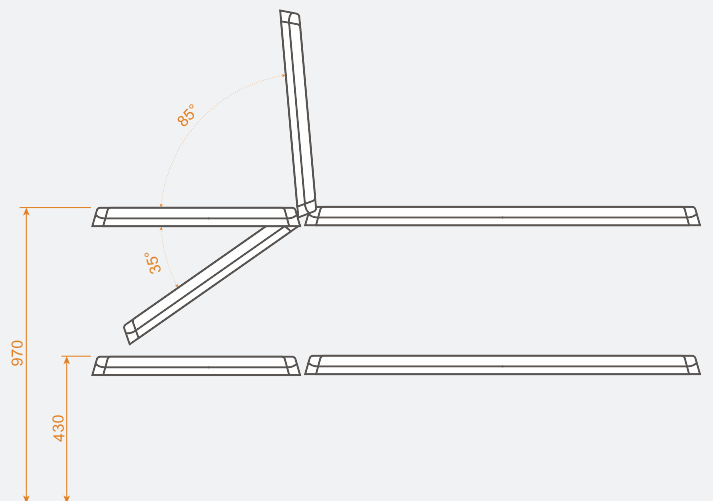
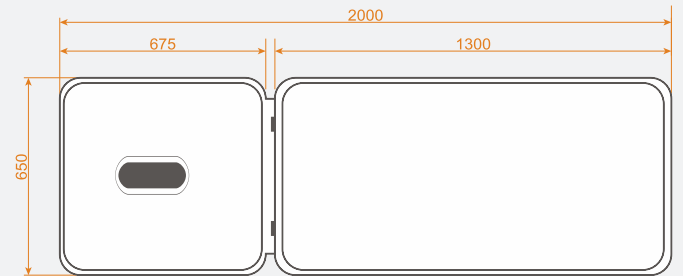


Stitched Ergo Breathing Hole



Matching Therapy Stool

## TABLE ARTICULATIONS



Warranty Period:  
10 Years (Structural)  
5 Years (Electrics)