



STABIL 3-Section Electric Treatment Table

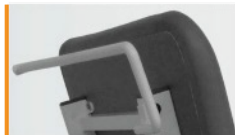
Order Code: 1003U-65BB



FEATURES

- Stabil is the most stable highest quality table model on the market
- Electric Hi-Lo
- Retractable heavy duty castors
- Levelling Feet
- Low Height: 43cm
- Weight Capacity: 255kgs
- German Motors
- Angled legs ensure ultimate stability during manipulations
- 'True' dual backrest design allows the leg rest to be raised into a backrest position
- Attractive and professional finish enhances your treatment area
- Side brackets for attaching exercise products and stabilising belts

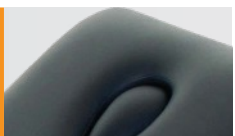
RECOMMENDED OPTIONS:



Paper Roll Holder



360° All-round Bar

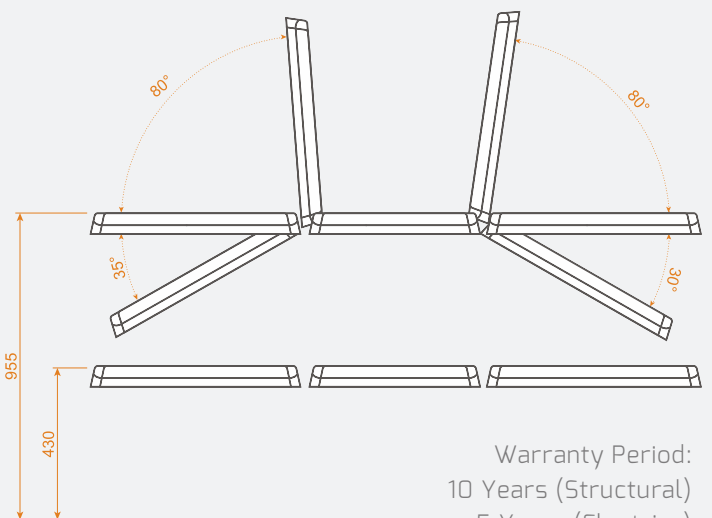
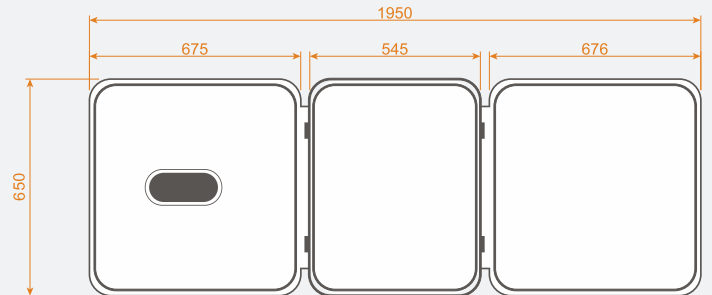


Stitched Ergo Breathing Hole



Matching Therapy Stool

TABLE ARTICULATIONS



Warranty Period:
10 Years (Structural)
5 Years (Electrics)