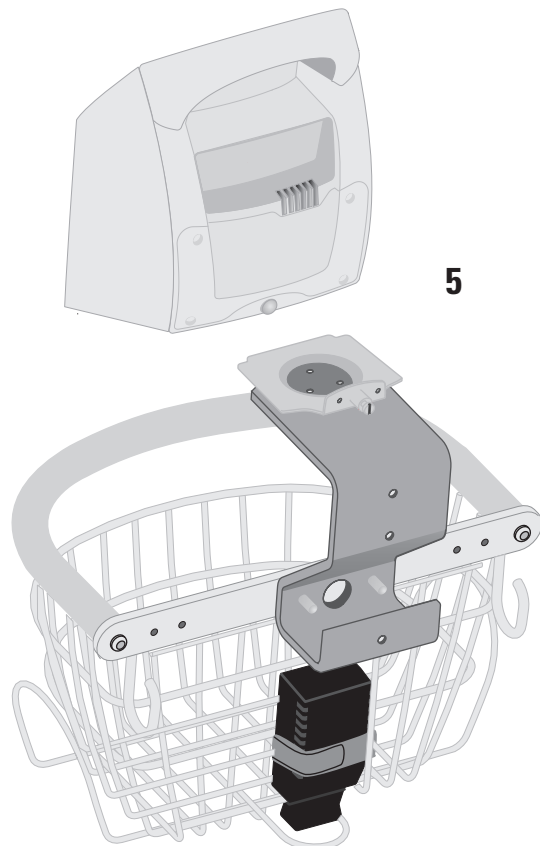
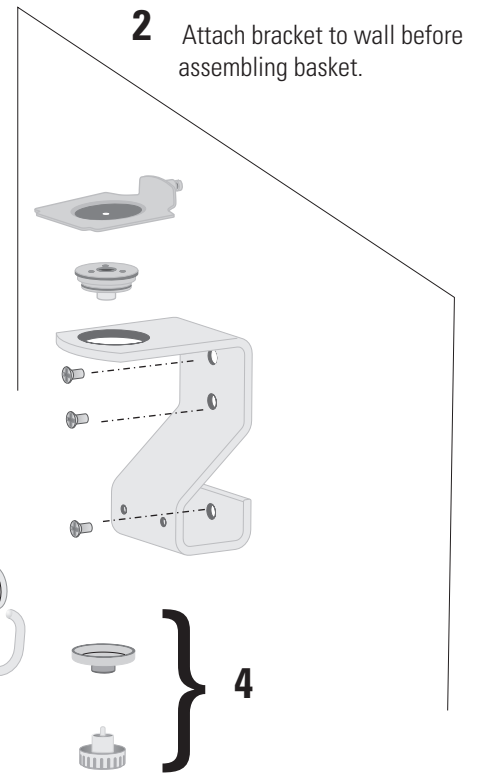
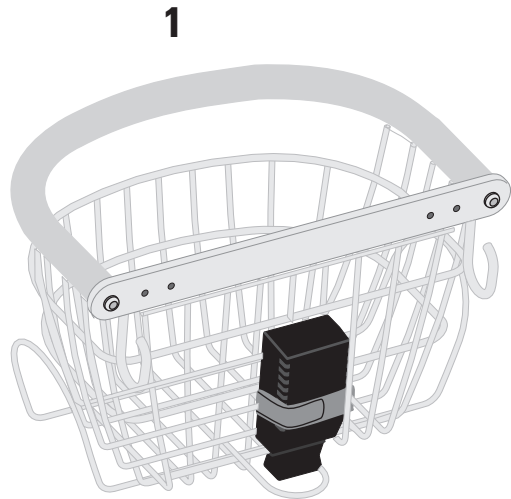


WALL MOUNT KIT

REF: 4701-62

Material #: 711890 Rev. B



Welch Allyn is NOT responsible for the integrity of any wall mounting interface. Ensure you are using the appropriate hardware to mount the device to a surface. Welch Allyn recommends that the customer contact their Biomedical Engineering Department or maintenance service to ensure professional installation, safety, and reliability of any mounting accessory.