

**HEINE** QUALITY  
MADE IN GERMANY



**∴ HEINE GAMMA G<sup>®</sup>-Series**

Shockproof and Latex-free Sphygmomanometers



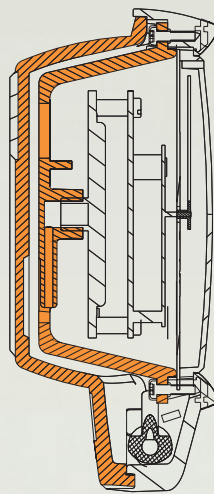
## ∴ Best in Class.

Those who expect the highest diagnostic precision, choose the best quality.

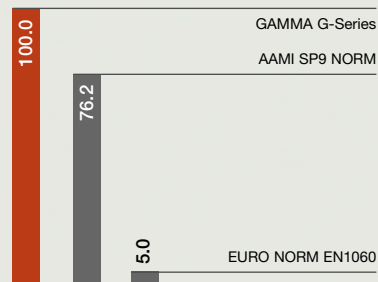
- ∴ Shockproof.
- ∴ Double-walled housing.
- ∴ Three-point manometer mounting.
- ∴ Exceeds all relevant standards.

### Double-walled housing with three-point manometer mounting.

GAMMA G-Series is built tough, incorporating an intricate shock-absorbing system that protects the manometer and produces instruments of unsurpassed durability. The HEINE GAMMA G®-Series is tested to well above the European (EN1060) and USA (SP9) standards.



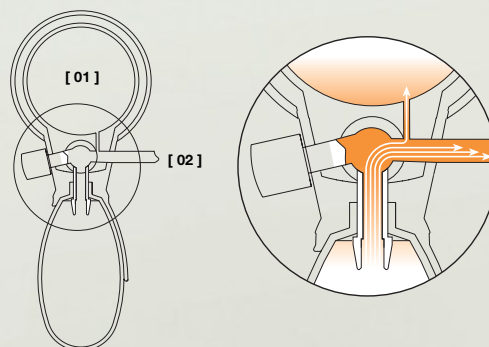
Drop-test. Height in cm.



### “Single-Tube” Design with exclusive Pressure-Distribution System (German patent pending).

The exclusive pressure-distribution system controls the airflow to the manometer during inflation to provide a smooth and accurate increase in pressure and a long manometer life.

With this innovation the HEINE GAMMA G®-Series now offers an important durability feature previously only available in “double-tube” systems, in a convenient, single-tube design.



[ 01 ] MANOMETER  
[ 02 ] TUBE TO CUFF

The new and innovative HEINE "GAMMA-G®" Series latex-free sphygmomanometers set a new standard in performance, quality and value. A functional and modern design, in combination with a high-quality precision manometer and durable construction, guarantee reliable performance over many years in any clinical environment.

**GAMMA G Series / Confirmation of clinical validation:**

The GAMMA G Series is now clinically-validated under the European Union protocol on hypertension. The validation protocol for the GAMMAG range confirms the long-term accuracy of measurement of the systolic and diastolic blood pressure.



## [ HEINE GAMMA G5® ]

ORDER NO.: | **GAMMA G5****The HEINE Standard Sphygmomanometer.**

The core of the GAMMA G5 is the quality and durability of the housing and spoon made of strong, impact-resistant Polyamide/TP-Elastomer. The integration of an intricate shockabsorbing system protects the manometer.

The extra large insufflation bulb is comfortable to hold, enabling fast inflation of the cuff.

- ✦ **Latex-Free.**
- ✦ **Shockproof.**
- ✦ **Exclusive Pressure-Distribution System.**
- ✦ **Pressure-Proof Manometer:** Ensures durability and reliability.
- ✦ **Micro-Filter:** Protects valve and manometer.
- ✦ **Large Diameter Scale:** (56 mm) is easy to read.

- ✦ **Large Insufflation Bulb:** 50 % larger Bulb Volume for fast inflation of the cuff.
- ✦ **Exclusive Air-Release Valve:** Provides fine and precise air-release rate adjustment, quick deflation, and extreme durability. A rubber-stop prevents valve-lock.
- ✦ **Housing** is molded in 2 component thermoplastic (Polyamide/TP-Elastomer) with the addition of a shock-absorbing, anti-slip coating.
- ✦ **Adjustable Spoon (Polyamide/TP-Elastomer):** For both right- or left-handed operation.
- ✦ **High quality, single-tube cuff with Velcro Fastener.** Washable.
- ✦ **5 Year Warranty\*.**

\*The GAMMA G5 is warranted against defects in manufacture and workmanship.

WITH ADULT CUFF [ **M-00.09.235** ]  
 WITH INFANT CUFF [ **M-00.09.236** ]  
 PRACTICE KIT WITH INFANT, ADULT AND OVERSIZE CUFF [ **M-00.09.551** ]



## [ HEINE GAMMA G7® ]

ORDER NO.: | **GAMMA G7****The top-of-the-line model with aluminum alloy.**

GAMMA G7 is unique in its advanced construction, utilizing a 2-Component Housing made of aluminum alloy and advanced thermoplastics (Polyamide/TP-Elastomer), producing a shockproof and modern design.

Combines all the design and quality features of the GAMMA G5, except:

- ✦ **Upper Housing** made of aluminum alloy and advanced thermoplastics (Polyamide/TP-Elastomer) with a shock-absorbing ring to protect indicator and glass.
- ✦ **Lower Housing** is molded in 2 component thermoplastic (Polyamide/TP-Elastomer) with the addition of a shock-absorbing, anti-slip coating.
- ✦ **Light Alloy, Adjustable Spoon:** For both right- or left-handed operation.
- ✦ **10 Year Warranty\*.**

\*The GAMMA G7 is warranted against defects in manufacture and workmanship.

WITH ADULT CUFF [ **M-00.09.237** ]  
 WITH INFANT CUFF [ **M-00.09.238** ]  
 PRACTICE KIT WITH INFANT, ADULT AND OVERSIZE CUFF [ **M-00.09.550** ]



## [ HEINE GAMMA GP® ]

ORDER NO.: | **GAMMA GP****Standard Instrument with push-button valve.**

Equipped with an innovative, absolutely reliable and easy-to-operate push-button valve, the new GAMMA GP combines all the design and quality features of the tried and proven GAMMA G5.

- ✦ **Innovative push-button valve. (Pat. DE 10353157)**  
Fine and precise air-release rate adjustment, ultra-fast air-release, practically wear-free. Easy to operate by both left and right-handed users.

- ✦ **5 Year Warranty\*.**

\*The GAMMA GP is warranted against defects in manufacture and workmanship.

WITH ADULT CUFF [ M-00.09.240 ]  
WITH INFANT CUFF [ M-00.09.241 ]  
PRACTICE KIT WITH INFANT, ADULT AND OVERSIZE CUFF [ M-00.09.552 ]



## [ HEINE GAMMA GST® ]

ORDER NO.: | **GAMMA GST****The classic instrument for self-measurement.**

The GAMMA GST is designed for easy and simple self-measurement. The stethoscope is integrated in the cuff, which is easily-attached and closed with one hand.

The high-quality construction and shockproof design based on the GAMMA G5 make GAMMA GST ideal for use in both home and clinical environments.

Combines all the design and quality features of the GAMMA G5, except:

- ✦ **High quality, single-tube cuff** with integrated Stethoscope (43 mm membrane).
- ✦ **5 Year Warranty\*.**

\*The GAMMA GST is warranted against defects in manufacture and workmanship.

WITH ADULT CUFF | [ M-00.09.271 ]



[ HEINE GAMMA XXL LF® ]



ORDER NO.: | **GAMMA XXL LF**

**The versatile professional model.**

The Classic GAMMA XXL LF now comes in a latex-free (LF) version with a range of mounting options that makes it the ideal sphygmomanometer in any clinical setting.

The oversized, blue-on-white, adjustable scale is easy to read, even from a distance.

Since the GAMMA XXL LF is non-mercurial, it is both safe and environmentally-friendly.

- ✦ **Latex-free.**
- ✦ **Durable polycarbonate construction** will hold up in the busiest hospital and practice environments.
- ✦ **Oversized** 130 mm diameter blue-on-white scale can be pivoted for clear, easy reading from any angle.

- ✦ **Long spiral inflation tube** for increased working distance.
- ✦ **High Quality Indicator** is precisely calibrated and durable.
- ✦ **Precision Air-release valve.**
- ✦ **Pressure-Proof Manometer:** Ensures durability and reliability.
- ✦ **Wall, Desk, Rail and Wheeled Stand** (adjustable height) mounting options.
- ✦ **Mercury-free.**
- ✦ **10 Year Warranty\*.**

\*The GAMMA XXL LF is warranted against defects in manufacture and workmanship.

BASE MODEL	[ M-00.09.315 ]
WALL MODEL LF-W	[ M-00.09.311 ]
STAND MODEL LF-S	[ M-00.09.313 ]
RAIL MODEL LF-R	[ M-00.09.312 ]
TABLE MODEL LF-T	
(NON SPIRAL INFLATION TUBE)	[ M-00.09.310 ]
BASE MODEL LF-T	
(NON SPIRAL INFLATION TUBE)	[ M-00.09.316 ]



[ CUFFS / ACCESSORIES ]			
Single tube cuffs for GAMMA G7 / G5 / GP	Newborn	6 x 28	[ M-00.09.652 ]
	Infant	8 x 34	[ M-00.09.639 ]
	Child	10 x 34	[ M-00.09.637 ]
	Adult	14 x 53	[ M-00.09.617 ]
	Oversize	15 x 64	[ M-00.09.613 ]
	Thigh	20 x 86	[ M-00.09.615 ]
Cuff for GAMMA GST	Adult	14 x 53	[ M-00.09.621 ]
Cuffs for GAMMA XXL LF	Newborn	6 x 28	[ M-00.09.653 ]
	Infant	8 x 34	[ M-00.09.643 ]
	Child	10 x 34	[ M-00.09.641 ]
	Adult	14 x 53	[ M-00.09.627 ]
	Oversize	15 x 64	[ M-00.09.623 ]
	Thigh	20 x 86	[ M-00.09.625 ]
Mounting Accessories and parts for GAMMA XXL LF	Cuff holder	for Desk Mount GAMMA XXL LF-T	[ M-00.09.141 ]
	Desk Stand	for Desk Mount GAMMA XXL LF-T	[ M-00.09.142 ]
	Universal Mounting Bracket	for rail, wall and wheeled stand GAMMA XXL LF-R / LF-W / LF-S	[ M-00.09.306 ]
	Rail Clamp	GAMMA XXL LF-R	[ M-00.09.307 ]
	Wheeled Stand with Height Adjustment	GAMMA XXL LF-S	[ M-00.09.145 ]



# HEINE QUALITY

A company makes history and gives a name to outstanding product quality: HEINE. Founded in 1946, family owned, rich in tradition and today international market leader in a complete range of diagnostic instruments. HEINE products meet all international standards (ISO/CE) and represent the leading edge in precision and ergonomic design. Ongoing dedication to research and development has created a solid and diverse technology base for continued quality and product leadership. Over 500 employees worldwide contribute to this success.

We reserve the right to change specification without notice.

Your distributor

10/07. med 5407 e

## HEINE

HEINE Optotechnik GmbH & Co. KG · Kientalstr. 7 · 82211 Herrsching · Germany  
Tel. +49 (0) 8152/38-0 · Fax +49 (0) 8152/38-202 · E-Mail: [info@heine.com](mailto:info@heine.com) · [www.heine.com](http://www.heine.com)

