

OMRON CompAIR CX^{pro} Nebuliser

Table of Contents

General information	2
Safety precautions	2
Description of OMRONCX ^{pro} Nebuliser	3
Description of JetAIR ^{plus} Nebuliser kit	4
Inhaling with the OMRON CX ^{pro} Nebuliser	5
Cleaning and disinfection	7
Storage and maintenance	7
Filter	8
Possible problems and how to solve them	8
Optional accessories/ parts	8
Technical data	9

Dear Customer...

Thank you for purchasing this OMRON product.

You can be sure that you have made a wise choice. By buying the OMRON CompAIR CX^{pro} Nebuliser, you have chosen a high-quality, innovative instrument.

During its development, particular attention was given to reliability, convenient and easy handling.

Before using the nebuliser for the first time, please read through this manual carefully.

If you still have any questions regarding its use, please contact OMRON Customer service at the address shown on the packaging or in the enclosed instruction manual. They will be pleased to assist you.

OMRON Healthcare Europe

General Information

The OMRON CompAIR CX^{PRO} is a nebuliser for the inhalation of medical aerosols to treat asthma, chronic bronchitis and other respiratory tract disorders. This nebuliser is suitable for all commonly used inhalation solutions. Use only the type and amount of medication prescribed by your doctor.

The advanced nebulisation system of the OMRON CompAIR CX^{PRO} produces a very low particle size distribution and therefore a medication vapour that will reach effectively and reliably the upper and lower respiratory passages. Due to the inhalation and exhalation valves, the amount of medication deposited into the lungs is maximized and medication waste is minimized.

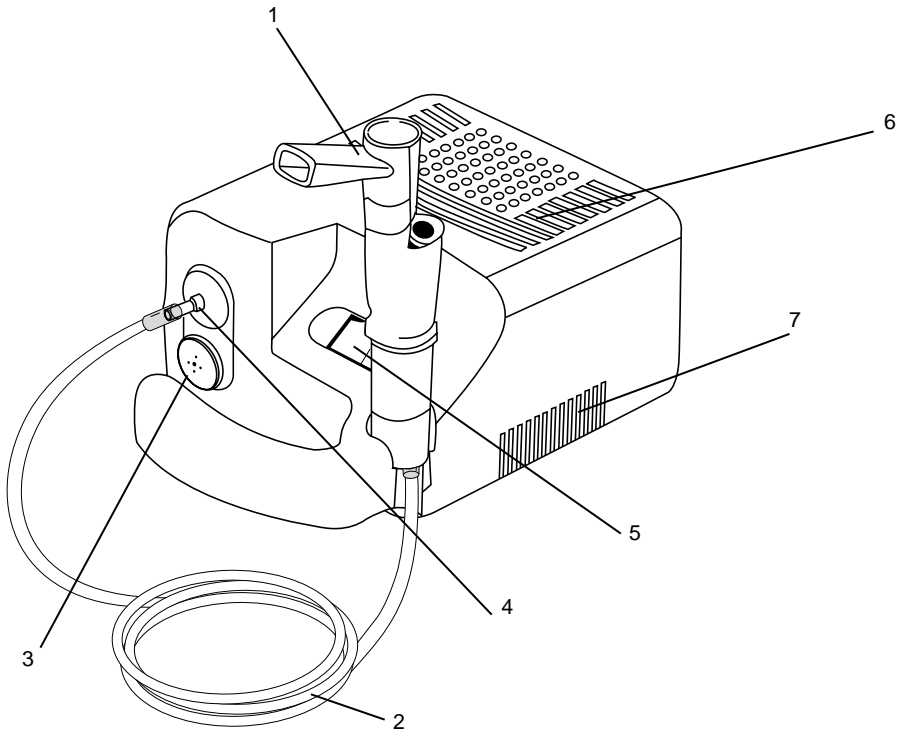
The OMRON CompAIR CX^{PRO} is suitable for inhalation at home, in the hospital or at a doctor's practice.

Safety precautions

Please read the following safety precautions carefully, as they contain important information concerning safe set up, use and maintenance of your nebuliser.

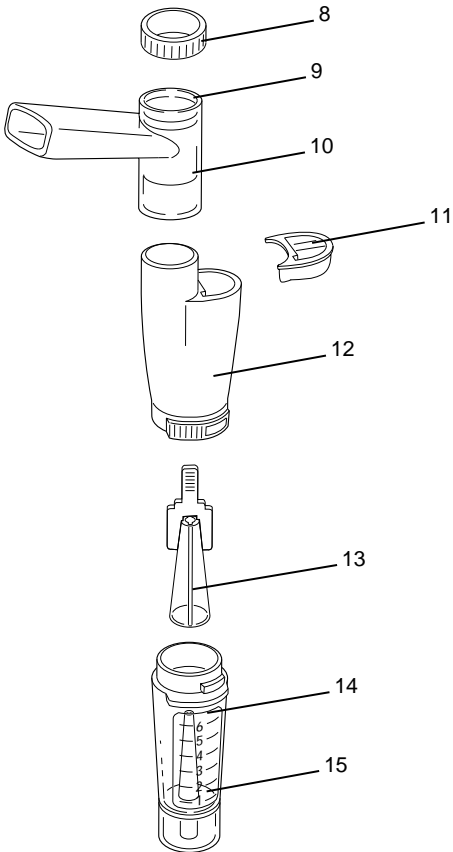
- Keep this manual for future reference.
- As soon as you have unpacked the nebuliser, check it for visible damages or defects. In particular check for cracks in the plastic housing, which could expose electrical components. If this is the case or if you are in doubt, contact your OMRON dealer directly.
- Only use the nebuliser for its intended purpose; for inhalation therapy. Any other form of use constitutes an improper use and is therefore dangerous. The manufacturer cannot be held liable for any damage caused by improper or incorrect use.
- Do not leave the unit unattended with people who require supervision (e.g. people with infirmities or children).
- The unit does not contain any user serviceable parts and does not require oil. Do not attempt to lubricate any internal parts. Never open the unit.
- Make sure that the electrical rating shown on the rating label on the bottom of the unit corresponds to your mains voltage and frequency before plugging in the nebuliser.
- Always disconnect the nebuliser from the mains supply before you start cleaning it.
- The unit is not protected against water penetration, so: Never touch the unit when your hands are wet or moist. Do not use the nebuliser while you are in the bath or having a shower. Never submerge the nebuliser in water. In case this occurs accidentally, always first disconnect the power supply plug from the wall socket, before reaching for the unit. After having removed the unit from the water, do not use it again. Contact your OMRON dealer and have your unit checked.
- Always switch the unit off first, before you disconnect the power plug.
- Do not use the unit in the presence of anaesthetic mixtures which are inflammable when they come into contact with air, oxygen or nitrous oxide.
- Keep the power cable away from heated or hot surfaces.
- If you discover that the nebuliser or its mains cable is damaged or does not operate properly, switch it off immediately, disconnect the power plug and stop using it. Contact your OMRON dealer and have your unit checked.
- Always use original OMRON nebuliser kit and air filter; order no. for replacements can be found in this manual.
- Do not block the air ventilation holes on left/right side of the compressor unit.
- Place the compressor unit on a flat and stable surface during operation.
- Although this device fulfils the provisions of the EMC (Electromagnetic Compatibility) directive, the use of it should be avoided in direct vicinity of other electric devices.

Description of the OMRON CompAIR CX^{pro} Nebuliser



1. Nebuliser kit JetAIR^{plus} (see also on page 4)
2. Air tube
3. Air filter compartment (air inlet)
4. Air outlet connection
5. Power OFF/ON switch [O/I]
6. Compressor unit
7. Air ventilation holes

Description of the nebuliser kit JetAIR plus



8. Valve cap
9. Exhalation valve
10. Mouthpiece
11. Inhalation valve
12. Nebuliser cap
13. Vaporiser head
14. Jet nozzle (inside medication tank)
15. Medication tank

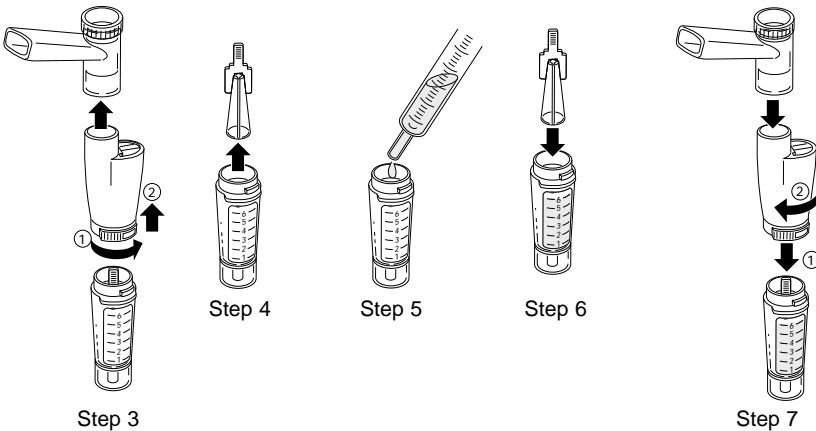
Inhaling with the OMRON CompAIR CX^{pro} Nebuliser

Before using the nebuliser, the nebuliser kit must be cleaned according to the cleaning and disinfection instruction within this manual. (see page 7)

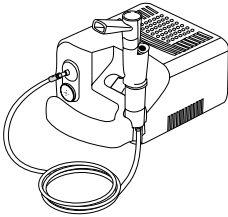
1. Make sure that the filter compartment (air inlet) and air ventilation holes are not covered, otherwise the unit may become overheated.
2. Make sure that the power switch is set to the OFF (O) position and plug in the mains cable.

For steps 3 ~ 7, refer to the drawing below.

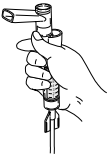
3. Remove the nebuliser cap from the medication tank by turning it counterclockwise and lifting it. Remove the mouthpiece.
4. Remove the vaporiser head.
5. Fill the medication tank with the prescribed amount and type of medication (max 6 ml).
6. Reinsert the vaporisation head.
7. Reconnect the nebuliser cap to the medication tank and fit the mouthpiece.



8. Connect the airtube; one end to the compressor unit and the other end to the bottom of the medication tank:

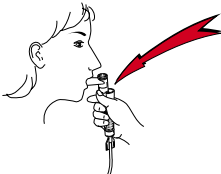


9. Hold the nebuliser in the position as shown below and switch the unit to ON (I) position.

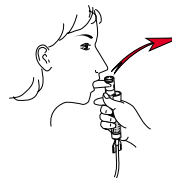


10. Although the design of this nebuliser kit enables its use in a tilted position, sit as upright as possible during the inhalation. If you must be treated in bed, support yourself with pillows. Always be calm and relaxed when you inhale. Breathe in slowly and deeply so that the medication can reach deep into the bronchial tubes. Hold your breath for a short time. Then breathe out slowly. It is not necessary to remove the mouthpiece from your mouth; the inhalation- and exhalation valves are automatically controlled by your breathing. During inhalation, air will enter the nebuliser through the inhalation valve. During your exhalation, exhaled air will leave the nebuliser through the exhalation valve. Do not try to breathe too quickly. Pause when you feel like having a rest.

Breathe in:



Breathe out:



11. When the treatment is finished, set the OFF/ON switch (O/I) to the OFF (O) position and disconnect the power plug from the wall socket.

12. Clean the nebuliser kit (refer to the cleaning instructions on page 7).

Note: If a mask is used, remove the mouthpiece from the nebuliser cap and connect the mask instead. Place it with the rubber band onto the face so that the mask will enclose the nose and the mouth. The tightness of the rubber band can be adjusted. The mask has openings which will enable unrestricted breathing.

Cleaning and disinfection

Disinfect the nebuliser before first use and at least once per day when in use.

Procedure:

Disassemble the nebuliser kit by disconnecting the air tube and mouthpiece or mask.

Remove the nebuliser cap from the medication tank and remove the vaporizer head.

Also refer to the illustrations as shown under step 3 and 4 (page 5).

Disinfect all disassembled nebuliser parts –NOT the air tube and masks- by placing them in boiling water (max.10 minutes) or in an autoclave (max. 121°C, refer to the autoclave instructions for the duration).

To clean the nebuliser and mask immediately after each treatment, it is sufficient to rinse the disassembled parts under running warm tap water.

The masks can be disinfected by any commercially available disinfectant, containing hypochloride.

After cleaning/disinfecting of the parts, place them on a clean (paper) towel and let them air dry.

For hygienic reasons, each person should use their own nebuliser kit. It is recommended that the nebuliser kit is replaced every 6 months (or earlier in case the nebuliser is obstructed) in order to maintain efficient inhalation. Contact your OMRON dealer for replacements.

The exterior of both the air tube and compressor unit should be cleaned once daily with a clean, damp piece of cloth. Do not use any volatile fluids. **Never submerge the compressor unit in water!** If there is some moisture in the air tube, connect the air tube to the compressor unit and leave the other end open. Then switch on the compressor unit and blow the tube dry.

The exterior of both the air tube and compressor unit should be cleaned once daily with a clean, damp piece of cloth. Do not use any volatile fluids. Never submerge the compressor unit in water! If there is some moisture in the air tube, connect the air tube to the compressor unit and leave the other end open. Then switch on the compressor unit and blow the tube dry.

Storage and maintenance

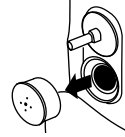
- Put the nebuliser kit, masks and airtube in a clean bag and place them in the storage pocket of the carrying case.
- Wrap the mains cable and place it in its storage compartment at the rear of the compressor unit.
- Do not store the compressor on the floor.
- The unit does not contain any user serviceable parts and does not require oil. Do not attempt to lubricate any internal parts. Do not open the compressor unit.
- In case you encounter difficulties with your nebuliser, please contact your local OMRON dealer. (address on/inside package).
- Disposal of this product should be carried out in accordance with the national regulations for the disposal of electronic products.

Filter

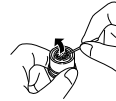
Check once a month whether the filter in the filter compartment is still white and clean. If it turns dirty, replace it. However this filter should be replaced at least once a year.

Procedure for replacing:

1. Slide the filter cover open to expose the filter compartment.



2. Remove the dirty filter with a small, pointed object.
3. Replace with a clean OMRON filter (order no.8403).
A set of 5 spare filters is provided with the nebuliser.
4. Slide the filter cover closed.



Caution: Do not use cotton or any other material to replace the filter. Do not wash or clean the filter. Use only OMRON filters. Do not operate without a filter.

Possible problems and how to solve them

If the OMRON CompAIR CX^{PRO} does not nebulise, or only very weakly, check the following points:

- Make sure that the power supply plug is firmly fitted onto the wall socket.
- Make sure that the ends of the air tube are fitted tightly onto the compressor unit and onto the medication tank.
- Check whether the medication tank is empty. If so, and if necessary, refill the medication tank.
- Is the vaporiser head installed correctly in the medication tank? If not, install it and press it down into the jet nozzle.
- Check whether the air tube is twisted. If so, untwist.
- Check whether the jet nozzle is blocked. If so, unblock it by cleaning the medication tank.
If not possible to unblock, replace the nebuliser kit.
- Check whether the air filter is clean. If not, replace it (refer to section 'Filter' in this manual).

Optional accessories/ parts:

Nebuliserkit JetAIR CX^{plus}, (incl. airtube, mouthpiece, inhalation/exhalationvalves), order no. A040001
 Inhalation valve for JetAIR CX^{plus}, order no. P040017
 Exhalation valve for JetAIR CX^{plus}, order no. P040018
 Airtube for JetAIR CX^{plus}, order no. P040019
 Flexible adult mask MAF, order no. A040002
 Flexible child mask MPF, order no. A040003
 Airfilter (set = 5 pcs), order no. 8403

Technical data



This device fulfils the provisions of the EC directive 93/42/EEC (Medical Device Directive).


Type:	OMRON CompAIR CX ^{pro} (NE-C18)
Dimensions:	160 (W) x 90 (H) x 220 (D) mm.
Weight:	approx. 2 kg
Nebulisation rate:	0.3* ml/min average
Particle size:	3.8 µm* MMAD** (independantly measured at Bradford University, UK, Dr. John Dennis, according to the European nebuliser standard EN13544-1)
Max. air flow:	10 l/m
Max. air pressure:	2.5 bar (250 kPa)
Capacity of medication tank:	6 ml
Sound noise level (at 1 m. distance):	60 dB
Operating conditions:	Temperature: 10° C ~ 40° C Humidity: 10% ~ 95% RH
Storage conditions:	Temperature: -25° C ~ 70° C Humidity: 10% ~ 95% RH
Supply voltage:	AC 230 V, 50 Hz
Power consumption:	85 W
Electrical safety:	Fuse: T2.5AL250V UR Rit, Class:2, Type:B
Contents of the package:	Compressor unit, nebuliser kit JetAIR ^{plus} , air tube, flexible child mask, flexible adult mask, carrying case, 5 spare filters, instruction manual, guarantee card


* value measured with 0.9% NaCl solution.
Please note that specifications may vary with medication type used.

**MMAD = Mean Mass Aerosol Diameter

Symbols:

 = Class II  = Type B O/I = power switch OFF/ON

 = Warning: read the instruction manual carefully

 0197

Manufacturer: OMRON Healthcare Europe B.V.
Kruisweg 577
NL 2132 NA HOOFFDORP

Visit us at www.omron-healthcare.com

Subject to technical modification without prior notice.