

HEINE QUALITY
MADE IN GERMANY

HEINE University Brochure

Student Guide



ABOUT US



HEINE OPTOTECHNIK is Brand of the Century in 2019

Our primary diagnostic instruments have received the exclusive brand seal from “German Standards” in 2019.

HEINE has been producing handheld medical primary diagnostic instruments since 1946, and today, our family-run company is one of the biggest providers of ophthalmological instruments, dermatoscopes and otoscopes in the world.

Each year, a panel of respected professionals from “ZEIT” publishing house name the recipients of “German Standards – Brands of the Century” seal. In order to be included on this list of exemplary companies, as well as being located in Germany, brands must also have a high recognition factor and demonstrate excellent entrepreneurial commitment.

This accolade is a confirmation of our commitment to producing HEINE products in Germany. Indeed, the main reason we are able to offer such high standards of quality is because most of the production stages are carried out in-house, on our premises.

Our development department is constantly optimizing technical aspects of our products to make sure that we supply doctors with the type of instruments they can rely on in any situation. For example: instead of plastic, for our OMEGA 500 Binocular Indirect Ophthalmoscopes we use extremely lightweight and sturdy aluminium frames, which prevent the optics mounted on top from slipping or becoming displaced inside the housing. The result is a precise diagnostic instrument that, even after years of use, continues to offer the same level of diagnostic performance it did when it was first delivered.

HEINE QUALITY

What is HEINE Quality, and what does it mean to you?

Quality has become one of the most overused terms today in an effort to sell products. However, few companies define that quality for you in tangible ways that explain the benefits it will bring you. We believe that the value a high quality product brings the user can be categorized in the following three important ways:

DURABILITY

HEINE products that will work the same way in 5, 10, 15 years, as they did on day one.

PERFORMANCE

HEINE products will perform to provide you with the most accurate, reliable, and early diagnosis possible.

FUNCTION

HEINE products will have features that allow the user to adjust the product to optimize the performance in any diagnostic situation such as ParaStop.

Why Choose HEINE?

∴ HEINE – Quality made in Germany:

We continue to develop and manufacture HEINE instruments exclusively at our facilities in Germany, where we combine decades-long experience and craftsmanship with the most modern manufacturing technologies.

∴ 10 year guarantee on BETA 200S Direct Ophthalmoscope and BETA 200 Retinoscope.

∴ Student Guarantee – Whilst you remain a student we will repair your HEINE instruments free of charge – even in the event of an accident!

∴ Have your name engraved on your instrument – Completely free of charge!

∴ Next day delivery on classic and mobile student sets (subject to availability).

∴ Free delivery on all student sets.

∴ Sean & Bobby are based in the UK and will be regular visitors to all universities. If you have any questions or concerns we are always available to help.

Your HEINE Student Team



Sean Lyons

Aston, Bradford,
Manchester, Glasgow,
Huddersfield, Lancashire,
Teeside Universities

slyons@heine.com

07376366398



Bobby Hobbs

Anglia Ruskin, Bristol,
Cardiff, Hertfordshire,
London City, Plymouth,
Portsmouth Universities

rhobbs@heine.com

07930394275

HEINE BETA® 200S DIRECT OPHTHALMOSCOPE

The BETA 200S Direct Ophthalmoscope is the epitome of HEINE Quality. 76 of the 80 components (95 %) that make up the instrument are personally made by HEINE in Germany. This level of quality control is unmatched in direct ophthalmoscopes.



LED^{HQ}
LED NOW IN HEINE QUALITY.

DURABILITY

- ∴ Optical components are flush mounted to a cast aluminium frame system, eliminating misalignment and make the **instrument shock-resistant**.
- ∴ Dustproof and **maintenance-free** for the life of the instrument.
- ∴ **HEINE offers a 10 year guarantee.** HEINE makes no compromises in manufacturing high quality medical instruments. Our commitment to vertical integration in manufacturing means we control all aspects of our instrument quality, from utilising carefully selected, well-matched materials to a high level of hand assembly. This ensures that each HEINE instrument meets or exceeds all requirements in any medical environment.

PERFORMANCE

- ∴ 74 Single Step Diopters (from +38 to -36), no additional switches or extreme diopter jumps.
- ∴ **There's LED. And there's LED^{HQ}.** HEINE has set a new standard which maintains that only the best is good enough, from the selection of materials to processing, from light intensity to dimmability, and from thermal management to a colour rendering index as high as possible. **That's what we call LED in HEINE Quality – or LED^{HQ}.**
- ∴ Alternatively available with XHL Xenon Halogen Technology.
- ∴ Precision optics – all optical components made by HEINE.
- ∴ Aspherical Optical System eliminates reflexes for a fundus image with no glare. (see box below).

FUNCTION

- ∴ Aperture legend is clearly marked for quick and easy selection.
- ∴ **Ergonomic design** allows for comfortable use and simple access to all apertures and filters. (see bottom of page 5)
- ∴ 13 different filter and aperture combinations – the most of any direct ophthalmoscope. (see below)



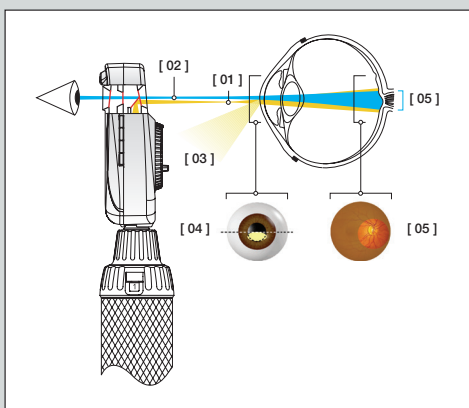
Cobalt blue filter, fixation star with polar coordinates, large spot, small spot, pinhole, slit, hemispot



With red-free filter:
Cobalt blue filter, fixation star with polar coordinates, large spot, small spot, pinhole, slit, hemispot

Aspherical Optical System (AOS): exclusively from HEINE

Eliminates corneal and iris reflexes to provide large, crisp and glare-free fundus images.



- [01] Flat, elliptical illumination beam produced by HEINE's Aspherical Optical System.
- [02] Observation path.
- [03] Redirected iris and corneal reflexes.
- [04] The elliptical light beam enters through the lower half of the cornea. The illumination beam has been separated from the observation beam (Gullstrand-Principle). All reflexes are diverted away from the observation beam due to the curvature of the reflective cornea. Due to the flat, compressed form of the light beam, a maximum amount of light enters through the pupil.
- [05] Once past the anterior chamber, the light beam opens up dramatically to illuminate a large area of the retina.

HEINE BETA[®] 200 RETINOSCOPE



LED HQ
LED NOW IN HEINE QUALITY.

The BETA 200 Retinoscope features an exclusive ergonomic design that makes it the most comfortable Retinoscope on the market to use and operate.

DURABILITY

- ∴ **Smooth Rotation Mechanism:** Vergence sleeve directly rotates the streak without the use of gears, which can wear down over time.
- ∴ Dustproof and **maintenance-free** for the life of the instrument.
- ∴ **HEINE offers a 10 year guarantee.** HEINE makes no compromises in manufacturing high quality medical instruments. Our commitment to vertical integration in manufacturing means we control all aspects of our instrument quality, from utilising carefully selected, well-matched materials to a high level of hand assembly. This ensures that each HEINE instrument meets or exceeds all requirements in any medical environment.

PERFORMANCE

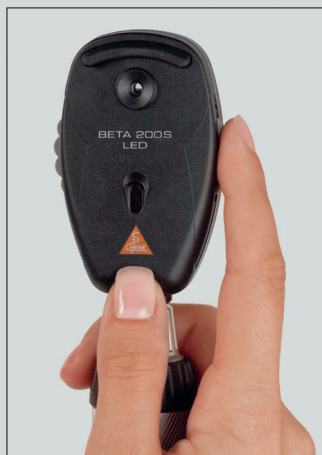
- ∴ Retinoscope features an **integrated polarisation filter** to eliminate stray light without reducing reflex brightness.
- ∴ Semi-enclosed **vergence sleeve** allows for a balanced, comfortable grip and greater control over the sleeve.
- ∴ **HEINE ParaStop** setting allows for quick selection of a parallel beam. The Parallel Beam setting assists in confirming the cylinder correction, and is especially useful while learning.
- ∴ **There's LED. And there's LED^{HQ}.** HEINE has set a new standard which maintains that only the best is good enough, from the selection of materials to processing, from light intensity to dimmability, and from thermal management to a colour rendering index as high as possible. **That's what we call LED in HEINE Quality – or LED^{HQ}.**
- ∴ Alternatively available with XHL Xenon Halogen Technology.

FUNCTION

- ∴ **Detachable brow rest** included for those who wear glasses.
- ∴ Simple and secure **fixation card attachment** system.
- ∴ Converts **from streak to spot** by simply changing the bulb (only XHL).
- ∴ **Ergonomic shape** provides for comfortable use and easy access to vergence sleeve and ParaStop setting. (see below)

Comfort Means Ergonomics

When evaluating the comfort of your instruments, the most important factor is that the instrument must be comfortable to operate during an examination. We have taken great care to ensure your hand-held instruments have been designed with ergonomics in mind.



BETA 200S Direct Ophthalmoscope: The Exclusive Thumb Notch allows you to operate the ReKoss Disk in a comfortable and precise manner. Additionally, we have placed the Aperture Wheel on a vertical plane, making its operation ergonomically correct.

BETA 200 Retinoscope: Our exclusive enclosed vergence sleeve design allows you to position your index finger up the side of the instrument, providing stability to the instrument during your exam. This also allows for downward pressure when rotating the vergence control during cylinder correction, preventing the upward drift of the sleeve.

STUDENT SETS

HEINE Mobile Set

Complete Set with following HEINE Products:

- 1x BETA 200S LED Ophthalmoscope
- 1x BETA 200 LED Retinoscope
- 1x BETA4 USB Rechargeable Handle
- 1x E4-USB Power Supply with USB cable
- 1x Handle rest, 1x mini-c Cliplamp with handle
- 1x Fixation Bar (Budgie Stick)
- 1x Romanes Occluder
- 1x Fixation Cards with holder for dynamic retinoscopy
- 1x PD-Check
- 1x Two handle case
- 1x Cleaning Cloth

LED HO
LED NOW IN HEINE QUALITY.



£ 979.99

(Inc. VAT + Delivery
+ Name Engraving)

www.medisave.co.uk/heine-mobile-set

HEINE Classic Set

Complete Set with following HEINE Products:

- 1x BETA 200S LED Ophthalmoscope
- 1x BETA 200 LED Retinoscope
- 2x BETA4 NT Rechargeable Handle
- 1x NT4 Table Charger
- 1x mini-c Cliplamp with handle
- 1x Fixation Bar (Budgie Stick)
- 1x Romanes Occluder
- 1x Fixation Cards with holder for dynamic retinoscopy
- 1x PD-Check
- 1x Two handle case
- 1x Cleaning Cloth

LED HO
LED NOW IN HEINE QUALITY.



£ 1249.99

(Inc. VAT + Delivery
+ Name Engraving)

www.medisave.co.uk/heine-classic-set

**NEW SET
WITH BETA4
SLIM NT
HANDLE**

HEINE Classic Set - SLIM Handle

Includes same accessories as HEINE Classic Set. Except:

- 2 x BETA4 NT Rechargeable Handles replaced by 2 x Slim NT Rechargeable Handles.
- Also includes 2x Adaptor set for BETA4 SLIM NT Rechargeable handles



£ 1279.99

(Inc. VAT + Delivery
+ Name Engraving)

www.medisave.co.uk/heine-slim-set

OTHER HEINE SETS AND FURTHER ARTICLES

BETA 200 LED Retinoscope Sets

Complete Set with following HEINE Products:

- 1x BETA 200 LED Streak Retinoscope
- 1x hard case
- With power source: BETA4 USB rechargeable handle with USB cord and plug-in power supply

Art.-No. C-034.28.388

- See above, but with power source: BETA4 NT rechargeable handle with NT4 table charger

Art.-No. C-034.24.420



LED HQ
LED NOW IN HEINE QUALITY.

BETA 200S LED Ophthalmoscope

Complete Set with following HEINE Products:

- 1x BETA 200S LED Ophthalmoscope
- 1x hard case
- With power source: BETA4 USB rechargeable handle with USB cord and plug-in power supply

Art.-No. C-261.28.388

- See above, but with power source: BETA4 NT rechargeable handle with NT4 table charger

Art.-No. C-261.24.420



LED HQ
LED NOW IN HEINE QUALITY.

**PRICE
FOR SETS
AND FURTHER
ARTICLES ON
REQUEST**



Hand-held Slit Lamp

Hand-held Slit Lamp with BETA4 SLIM NT rechargeable handle and NT4 table charger

Art.-No. C-266.20.471



Hand-held Indirect Ophthalmoscope MONOCULAR Head

An unusually compact instrument, which is recommended for visits and mobile use.

Art.-No. C-002.33.001



Ophthalmoscope Trainer

Art.-No. C-000.33.010



Retinoscope Trainer

Art.-No. C-000.33.011



Finoff Transilluminator Head

For scleral transillumination

Art.-No. C-002.17.080



Ophthalmic Examination Lamp Head

For examination of the anterior segment and cornea in focal light

Art.-No. C-002.14.400



BETA4 USB Rechargeable Handle

You can charge your HEINE BETA 4 USB handle with any USB plug or other USB power source, with absolute peace of mind

Art.-No. X-007.99.388

► How to Order:

You can order the students sets directly online with our preferred partner MEDISAVE
<https://www.medisave.co.uk/heine-optometry>

Alternatively feel free to call or email your HEINE student team:

Sean Lyons - slyons@heine.com, 0737636638, **Bobby Hobbs** - rhobbs@heine.com, 07930394275

QUALITY made in GERMANY.

As a global leader in the manufacture of primary diagnostic instruments with over 500 employees, HEINE Optotechnik has been a 100% family owned and managed company for more than 70 years. We continue to develop and manufacture HEINE instruments at our facilities in Germany, where we combine decades-long experience and craftsmanship with the most modern manufacturing technologies.

We are represented in over 120 countries around the world, with subsidiaries in Australia, the US and Switzerland as well as 3,000 representatives, importers and specialist dealers.

We look forward to hearing from you – and would like to know more about your opinions, desires and suggestions regarding our products.



■ HEINE SUBSIDIARY COMPANIES & REPRESENTATIVES

 **HEINE Optotechnik GmbH & Co. KG**
Kientalstr. 7, 82211 Herrsching, Germany
Tel. +49 (0) 81 52-38 0, Fax +49 (0) 81 52-3 82 02
E-Mail: info@heine.com, www.heine.com

